

QUICKTRONIC® PROFESSIONAL T5

ECG for T5/Ø16mm linear fluorescent lamps

QTP5 3x14, 4x14



Technical Information

Edition: July 2010

Subject to change

Features:

- Up to 100,000 hours lifetime ¹⁾
- Lamp start with optimized filament preheating within 1.2 sec.
- Cut-off Technology
- Suitable for lighting with high switching cycles
- Reliable lamp ignition between -20°C...+50°C
- Suitable for luminaries of protection class I ²⁾
- CELMA Energy Efficiency Index **A2 BAT** (Best Available Technology)
- Automatic safety shut-down in case of a defect or at the end of the lamp's life (EoL T.2)
- Automatic restart after lamp replacement
- Suitable for emergency installations (DC, 0 Hz)



Technical Data:

Reference:	QTP5 3x14, 4x14	
Lamp:	3x HE14	4x HE14
HF lamp wattage [W]:	3x 14	4x 14
System wattage [W]:	48	63
Line current [A]:	0.22	0.28
Luminous flux at 25°C [lm]:	3x1.200	4x1.200
Luminous flux at 35°C [lm]:	3x1.350	4x1.350
Max. cable diameter for IDC contact [mm ²]:	„s“: 0.5; „f“: 0.75	
Max. cable diameter for push-in contact [mm ²]:	„s“: 0.5...1.0	
Starting time:	t: 1.2 sec. (<0.3 sec. in case of line interruptions/switchover of <0.5 sec.)	
Line voltage:	220 - 240 V	
Voltage range (AC):	198 - 264 V	
Voltage range (DC):	176 - 276 V	
Line frequency:	0, 50-60 Hz	
Operating frequency:	40 - 50 kHz	
Max. number of ECG, circuit breaker 10A, char. B:	12	
Max. number of ECG, circuit breaker 16A, char. B / C:	19 / 32	
Electrical strength:	300 V → permanent; 320 V → 48 hours; 350 V → 2 hours	
Power factor λ :	0.95	0.97
Ambient temperature t _a :	-20 °C to +50 °C	
Measuring point temperature t _c :	max. +75 °C	
U-OUT:	430 V	
Dimensions (l x w x h):	280 x 40 x 21 mm	
Distance mounting holes:	270 mm	
Weight:	220 g	
Safety:	acc. EN 61347-2-3 / IEC 61347-2-3	
Radio interference:	acc. EN 55015: 2006 + A1: 2007	
Harmonic content:	acc. EN 61000-3-2 / IEC 61000-3-2	
Immunity:	acc. EN 61547 / IEC 61547	
Packaging unit:	20 pieces	

Approval marks:



“s” = solid wire, “f” = stranded – flexible wire



QUICKTRONIC® PROFESSIONAL T5

ECG for T5/Ø16mm linear fluorescent lamps

QTP5 3x14, 4x14



Technical Information
Edition: July 2010
Subject to change

Product:

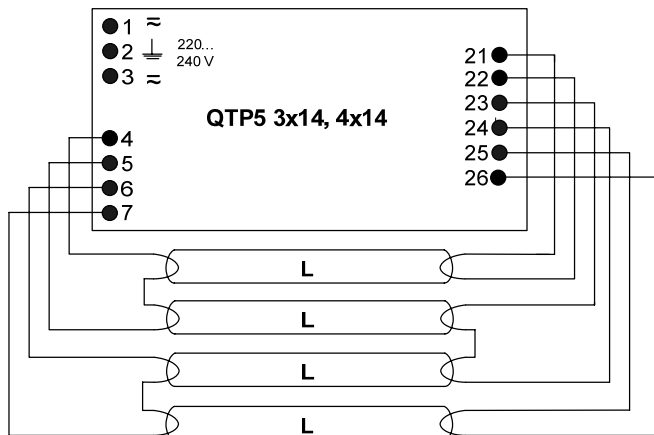
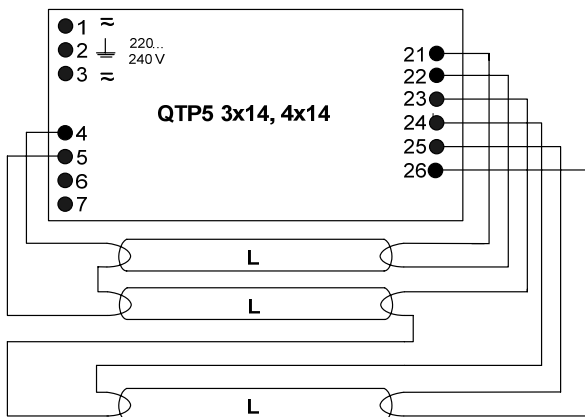


Product number:

Product number:	EAN 10 / Single unit (1 pc.)	EAN 40 / Package unit (20 pcs.)
QTP5 3x14, 4x14	4008321 484598	4008321 484604

Lamp wiring:

QTP5 3x14, 4x14:



Max. permitted cable length in between ECG and lamp: 1.5 m (PIN 4, 5, 21, 22, 23, 24); 1.0 m (PIN 5, 7, 25, 26)

¹⁾ at T = 65°C @ tc. 50.000 h with max. 10% failure rate at tc = 75°C max

²⁾ functional earth connection for PC II required